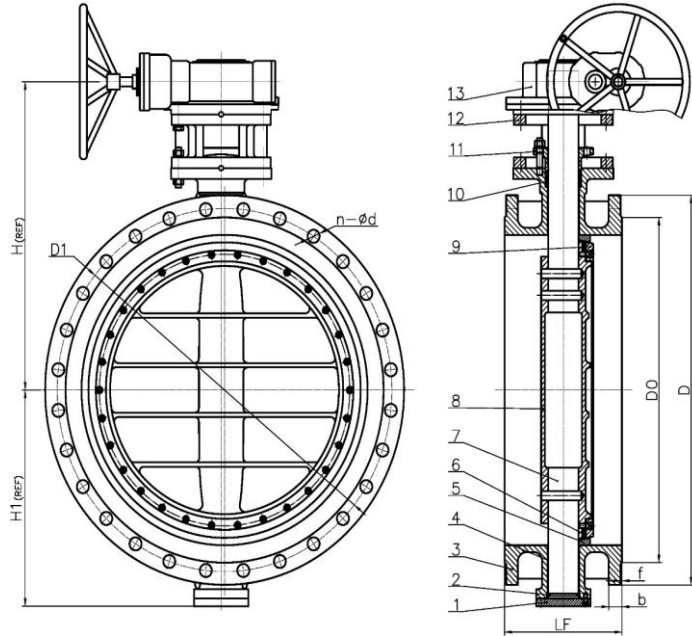


CYUDA D343sP Bidirectional flange triple offset butterfly valve



Remarks:

- 1.Design and manufacture as per BS EN593
- 2.Face to face dimensions as per BS EN558 Series 13
- 3.Flange dimensions as per Gost 33259-2015
- 4.Pressure test as per BS EN12266-1

Pressure test	PN10	PN16	PN25
Shell	15bar	24bar	37.5bar
Bidirectional seal (Water)	11bar	17.6bar	27.5bar

Media: Water, oil and gas
Temperature: -5~200°C

Material for main parts

No.	Part Name	Material	No.	Part Name	Material
1	Cover	Q235	8	Disc	WCB
2	Thrust ring	20#	9	Retainer	Q235
3	Body	WCB	10	Packing	Graphite
4	Bushing	Self-lubricating	11	Gland	WCB
5	Body seat	SS304	12	Yoke	WCB
6	Disc seat	SS304+XB450	13	Gear box	Ductile iron
7	Stem	2Cr13			

Dimension: mm

DN	PN	LF	D	D0	D1	n-Ød	f	b	H #	H1 #
600	10	267	780	682	725	20-Ø30	5	34	686	470
	16		840	685	770	20-Ø36		38	695	470
	25		845	720	770	20-Ø39		46	740	487
700	10	292	895	794	840	24-Ø30		34	750	510
	16		910	794	840	24-Ø36		40	750	530
	25		960	820	875	24-Ø42		50	790	560
800	10	318	1015	901	950	24-Ø33		36	830	570
	16		1025	901	950	24-Ø39		42	835	570
	25		1085	928	990	24-Ø48		54	880	640
900	10	330	1115	1001	1050	28-Ø33		38	880	625
	16		1125	1001	1050	28-Ø39		44	912	650
	25		1185	1028	1090	28-Ø48	58	938	697	
1000	10	410	1230	1110	1160	28-Ø36	38	990	690	
	16		1255	1110	1170	28-Ø42	46	990	700	
	25		1320	1140	1210	28-Ø56	62	1072	780	
1200	10	470	1455	1328	1380	32-Ø39	44	1120	800	
	16		1485	1328	1390	32-Ø48	52	1117	815	
	25		1530	1350	1420	32-Ø56	70	1215	895	
1400	10	530	1675	1530	1590	36-Ø42	48	1236	925	
	16		1685	1530	1590	36-Ø48	58	1295	935	
	25		1755	1560	1640	36-Ø62	75	1335	990	
1600	10	600	1915	1750	1820	40-Ø48	52	1420	1020	
	16		1930	1750	1820	40-Ø56	64	1420	1025	
	25		1975	1780	1860	40-Ø62	84	1500	1070	
1800	10	670	2115	1950	2020	44-Ø48	56	1585	1145	
	16		2130	1950	2020	44-Ø56	68	1585	1150	
	25		2195	1985	2070	44-Ø70	90	1635	1130	
2000	10	760	2325	2150	2230	48-Ø48	60	1715	1255	
	16		2345	2150	2230	48-Ø62	70	1715	1260	
	25		2425	2210	2300	48-Ø70	96	1750	1330	

* The "n" of "n-Ød" is the total number of holes, 4-Mxx means that the 4 holes at stem upper and lower position are threaded holes.

"H" and "H1" for reference only.

Henan Yuda Valve Manufacturing Co., Ltd.
467500, Industrial zone in Ruzhou, Henan province.

www.hnydvalve.com

We reserve the right to modify the above information without notice.

(Oct. in 2021)