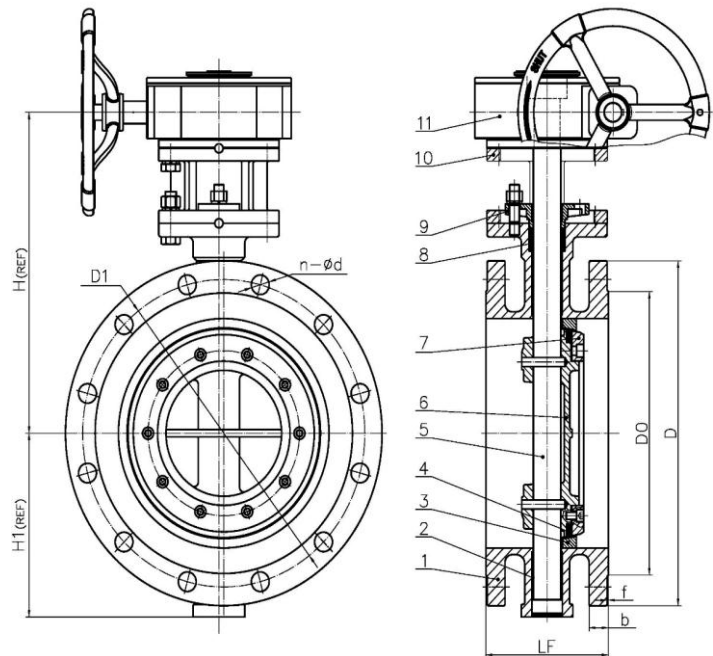


CYUDA D343sP Bidirectional flange triple offset butterfly valve



Remarks:

- 1.Design and manufacture as per BS EN593
- 2.Face to face dimensions as per BS EN558 Series 13
- 3.Flange dimensions as per Gost 33259-2015
- 4.Pressure test as per BS EN12266-1

Pressure test	PN10	PN16	PN25
Shell	15bar	24bar	37.5bar
Bidirectional seal (Water)	11bar	17.6bar	27.5bar

Media: Water, oil and gas

Temperature: -5~200°C

Dimension: mm

DN	PN	LF	D	D0	D1	n-Ød		f	b	H #	H1 #
200	10	152	340	266	295	8-Ø22		3	24	364	185
	16				12-Ø22		30		364	210	
	25		360	274	310	12-Ø26			26	395	218
250	10	165	395	316	350	12-Ø22		3	32	405	245
	16		405		355	12-Ø26			26	395	218
	25		425	330	370	12-Ø30			32	405	245
300	10	178	445	370	400	12-Ø22		4	26	430	247
	16		460	370	410	12-Ø26			28		
	25		485	389	430	16-Ø30	4-M27 *		34	438	291
350	10	190	505	429	460	16-Ø22		4	26	468	295
	16		520	429	470	16-Ø26			30	468	295
	25		555	448	490	16-Ø33	4-M30 *		38	490	340
400	10	216	565	480	515	16-Ø26		4	26	508	328
	16		580	480	525	16-Ø30			32	540	326
	25		620	503	550	16-Ø36	4-M33 *		40	517	368
450	10	222	615	530	565	20-Ø26		4	28	537	378
	16		640	548	585	20-Ø30			34	537	378
	25		670	548	600	20-Ø36	4-M33 *		40	562	410
500	10	229	670	582	620	20-Ø26		4	28	610	378
	16		715	609	650	20-Ø33			36	628	400
	25		730	609	660	20-Ø36	4-M33 *		44	660	435

* The "n" of "n-Ød" is the total number of holes, 4-M27 means that the 4 holes at stem upper and lower position are threaded
"H" and "H1" for reference only.

Material for main parts

No.	Part Name	Material	No.	Part Name	Material
1	Body	WCB	7	Retainer	Q235
2	Bushing	Self-lubricating	8	Packing	Graphite
3	Body seat	SS304	9	Gland	WCB
4	Disc seat	SS304+XB450	10	Yoke	WCB
5	Stem	2Cr13	11	Gear box	Ductile iron
6	Disc	WCB			

Henan Yuda Valve Manufacturing Co., Ltd.
467500, Industrial zone in Ruzhou, Henan province.

www.hnydvalve.com

We reserve the right to modify the above information without notice.

(Oct. in 2021)